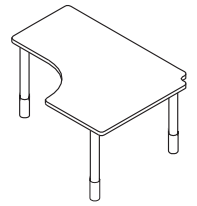
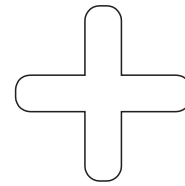


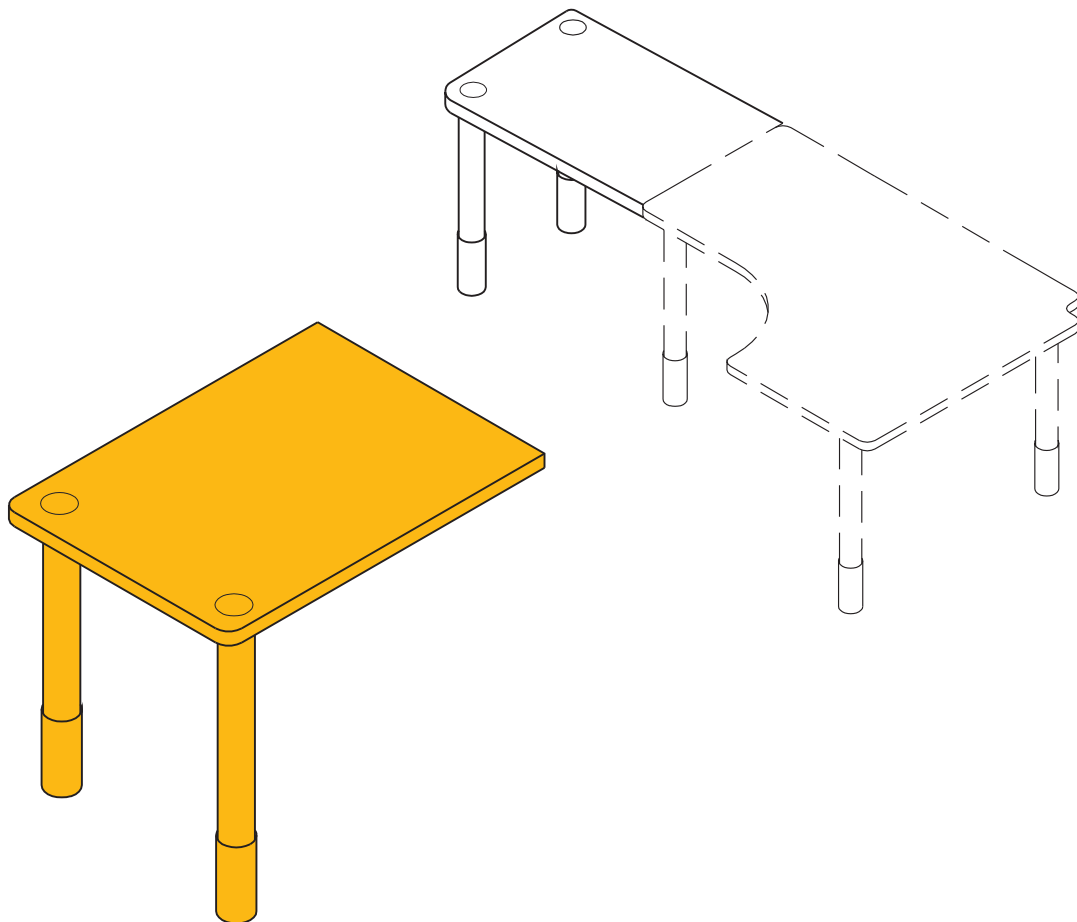
FLEXA®

82-50002-1/-2

65/75 x 68 x 75cm



82-50001-1/-2

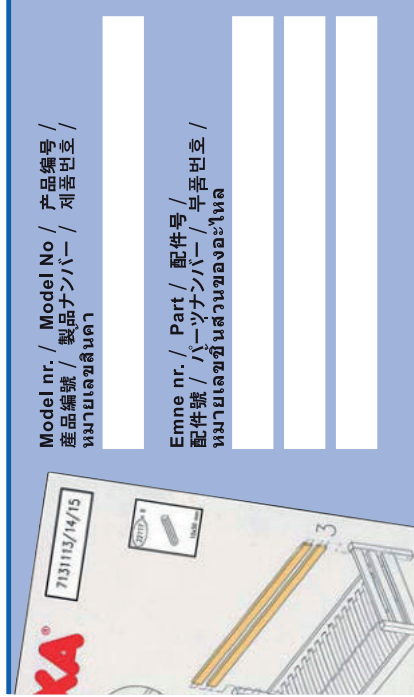
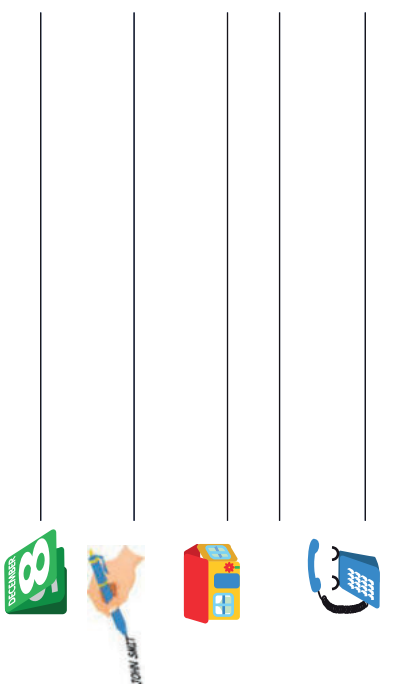


Monterings- og brugsvejledning
Assembly instructions and direction for use
Montageanleitung und Gebrauchsanweisung
Notice de montage et mode d'emploi
Montageinstructie en onderhouds voorschrift
Instrucciones de montaje y uso
Istruzioni di montaggio e uso
Kokoamis- ja käyttöohjeet
Οδηγίες συναρμολόγησης και χρήσης

Instrukcje montażu i wskazówki dotyczące użytkowania
Instruções de montagem e de utilização
Instrucțiuni de asamblare și recomandări de utilizare.
Инструкции по сборке и руководство использования
安裝及使用說明
組立ておよび使用説明
รายละเอียดเกี่ยวกับวิธีกาไรใช้
และการติดตั้ง
설치 및 취급설명

For indoor
domestic use

Scandinavian Design made in Estonia



Model nr. / Model No / 产品编号 / 產品編號 / 製品ナンバー / 제품번호 / หมายเลขผลิตภัณฑ์

Emne nr. / Part / 配件号 / 零件號 / パーツナンバー / 부품번호 / หมายเลขชิ้นส่วนของไหล

Møbler fra FLEXA er fremstillet af massivt træ, hvilket betyder at farve- og strukturforskelle er en naturlig del af møbelingen. Skulle der mod forventning opstå en reklamation, skal denne blanket udfyldes og returneres til FLEXA forhandleren. Venligst kontroller, at alle dele er komplette, inden montage påbegyndes.

Furniture from FLEXA is produced from solid wood, which means that colour and structural differences are a natural part of the furniture. However, should a complaint occur, this form must be filled and returned to your authorized FLEXA dealer. Please make sure that all parts are complete before you start assembling.

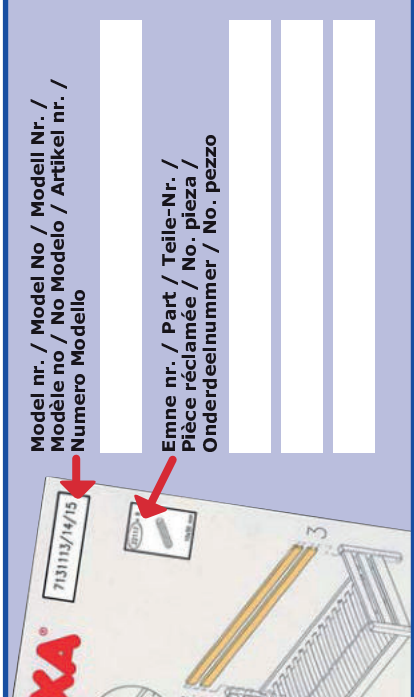
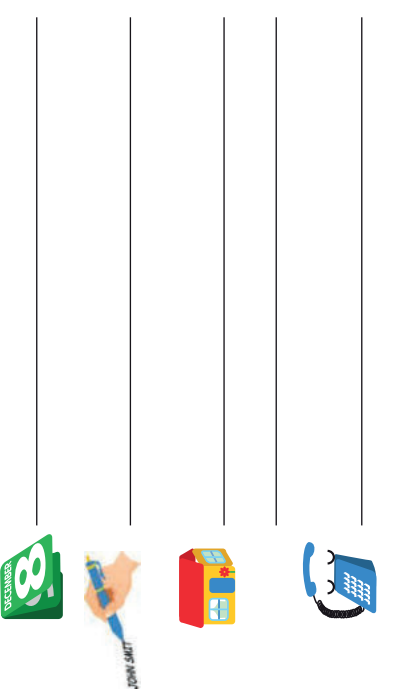
FLEXA家具由基本製成，存在實木的自然色和紋理的差異。若發覺產品有質量問題，請填寫右側的表格，並還原FLEXA授權經銷商。安裝前請檢查顏色並仔細核對。

FLEXA家具由基本製成，存在實木的自然色和紋理的差異。若發覺產品有質量問題，請填寫右側的表格，並還原FLEXA授權經銷商。

FLEXA家具は本家具として木の自然な色と模様があります。製品の瑕疵は、FLEXAの取扱代理店にご相談下さい。組立ての際はパキングリストをご確認ください。

FLEXA의 제품은 원목으로 제작되어 색차, 목재의 자연적 차이와 구조적 결함은 불가피합니다. 품질상의 문제가 발생될 경우 오로지 포장지에 그 내용을 기재하여 FLEXA의 공식 판매처에 보내주세요. 심각한 포장상의 스톱과 포장내용물이 맞는지 확인 부탁드립니다.

FLEXA의 가구들은 천연 목재로 제작되어 색차, 목재의 자연적 차이와 구조적 결함은 불가피합니다. 품질상의 문제가 발생될 경우 오로지 포장지에 그 내용을 기재하여 FLEXA의 공식 판매처에 보내주세요. 심각한 포장상의 스톱과 포장내용물이 맞는지 확인 부탁드립니다.



Model nr. / Model No / Modell Nr. / Modèle no / No Modelo / Artikel nr. / Numero Modello

Emne nr. / Part / Teile-Nr. / Pièce réclamée / No. pieza / Onderdeelnnummer / No. pezzo

Møbler fra FLEXA er fremstillet af massivt træ, hvilket betyder at farve- og strukturforskelle er en naturlig del af møbelingen. Skulle der mod forventning opstå en reklamation, skal denne blanket udfyldes og returneres til FLEXA forhandleren. Venligst kontroller, at alle dele er komplette, inden montage påbegyndes.

Furniture from FLEXA is produced from solid wood of high quality MDF. Solid wood can have color and structure difference which is a natural part of the furniture. However, should a complaint occur, this form must be filled and returned to your authorized FLEXA dealer. Please make sure that all parts are complete before you start assembling.

Die FLEXA-Produkte werden aus massivem Kiefernholz oder aus MDF von hoher Qualität hergestellt. Bei massivem Holz sind Farbunterschiede sowie unterschiedliche Maserungen Naturmerkmal. Sollte es trotzdem Grund zur Reklamation geben, füllen Sie bitte diesen Schein aus und wenden Sie sich an Ihren FLEXA-Handler. Bitte prüfen Sie den Artikel auf Vollständigkeit und Beschädigung.

Le mobilier FLEXA est réalisé en bois massif ou en MDF de haute qualité. La structure et la couleur diffèrent car c'est une matière naturelle. Si toutefois vous constatez une anomalie, merci de remplir la fiche ci-jointe et de la retourner à votre distributeur. Les pièces manquantes des pièces avant d'entreprendre le montage.

Los muebles de FLEXA son fabricados con madera calidad. El color y la estructura, esto es una parte natural de los muebles. Si en contra de lo previsto surge una incidencia, agradeceremos que rellene el formulario y lo envíe al distribuidor. Las piezas faltantes de las piezas estén completas antes de empezar el montaje.

Mebels van FLEXA zijn geproduceerd van massief hout of hoge kwaliteit MDF. Bij massief hout kunnen kleur- en structuurverschillen van het meubilair. Mocht er dissonanties een klacht ontstaan, vul dan dit formulier in en lever het in bij uw FLEXA dealer. Controleer of alle benodigde onderdelen aanwezig zijn voordat u begint met monteren.

I mobili FLEXA sono prodotti in legno massello o MDF di alta qualità. Il legno massiccio può avere alcune differenze di colore o di consistenza, il che è normale per un materiale naturale. Comunicare per qualsiasi reclamo bisogna riempire il modulo e consegnarlo al rivenditore. Verificare che tutti i componenti siano in attesa prima di cominciare il montaggio.

Årsag / Reason / Ursache / Motif / Motivo

Manglende del / Missing part / Fehlendes Teil / Pièce manquante / Falta pieza / Missende delen / Parte mancante

Fejl i træet / Defect in the wood / Holzfehler / Défaut de bois / Madera defectuosa / Fout in het hout / Difetto nel legno

Fejl boring / Faulty drilling / Falsche Bohrung / Défaut de perçage / Taladro erróneo / Verkeerd geboord

Fejl i lakken / Fault in lacquer / Fehler im Lack / Défaut de finition / Barniz defecto / Fout in de lakafwerking / Difetto laccatura

Årsag / Reason / Ursache / Motif / Motivo

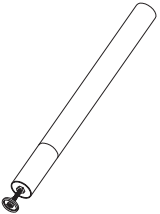
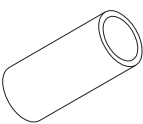
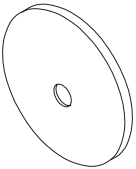


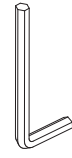
Manglende del / Missing part / 配件缺失 / 零件缺失 / パーツ欠け / 部品欠陥 / 木材缺陷 / 木材欠陥 / 목재 손상 / 木材缺陷 / 木材缺陷 / 木材缺陷

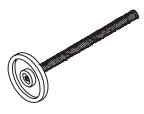
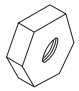
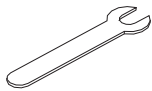
Fejl i træet / Defect in the wood / 木材缺陷 / 木材缺陷 / 목재 손상 / 木材缺陷 / 木材缺陷 / 木材缺陷

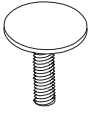


Fejl boring / Faulty drilling / 钻孔错误 / 钻孔错误 / 穴空けミス / ドリル間違い / เจาะรูผิดพลาด

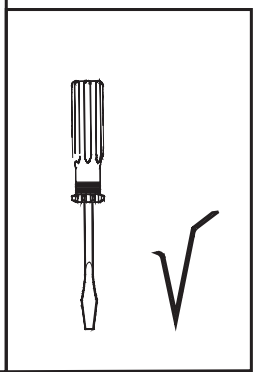
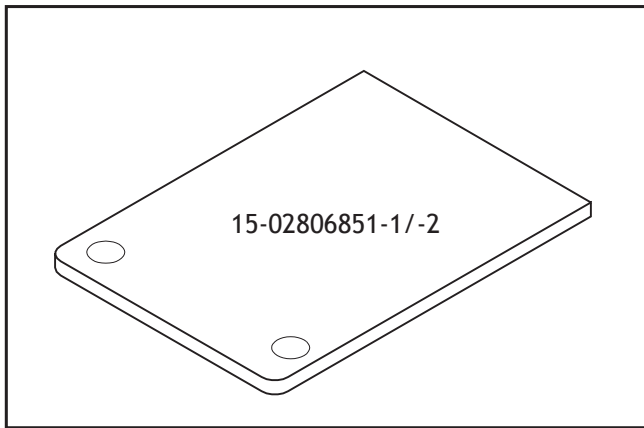
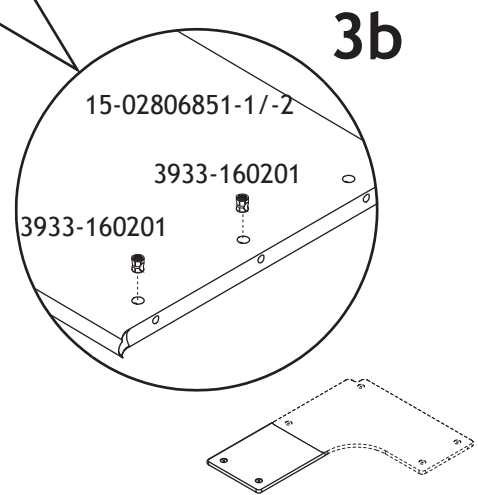
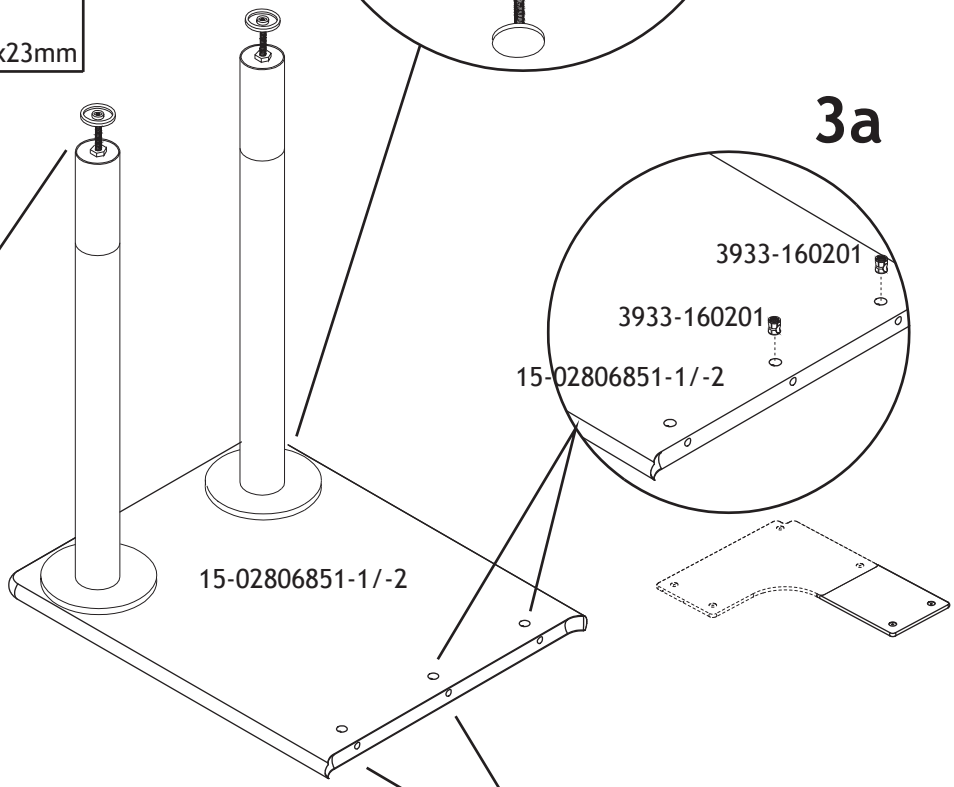
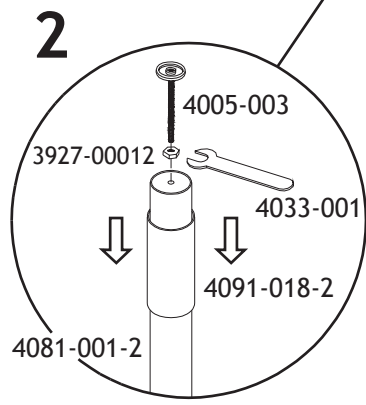
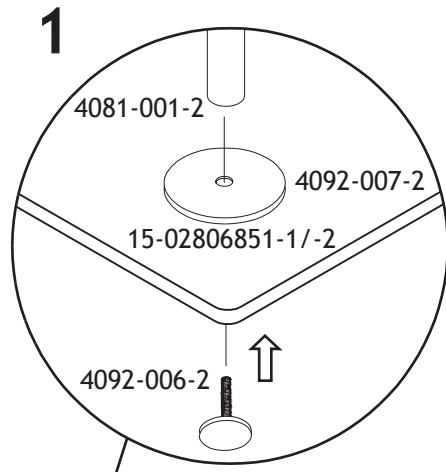
Fejl i lakken / Fault in lacquer / 油漆问题 / 油漆问题 / ベンチ問題 / 레이크 문제 / 油漆问题 / 油漆问题

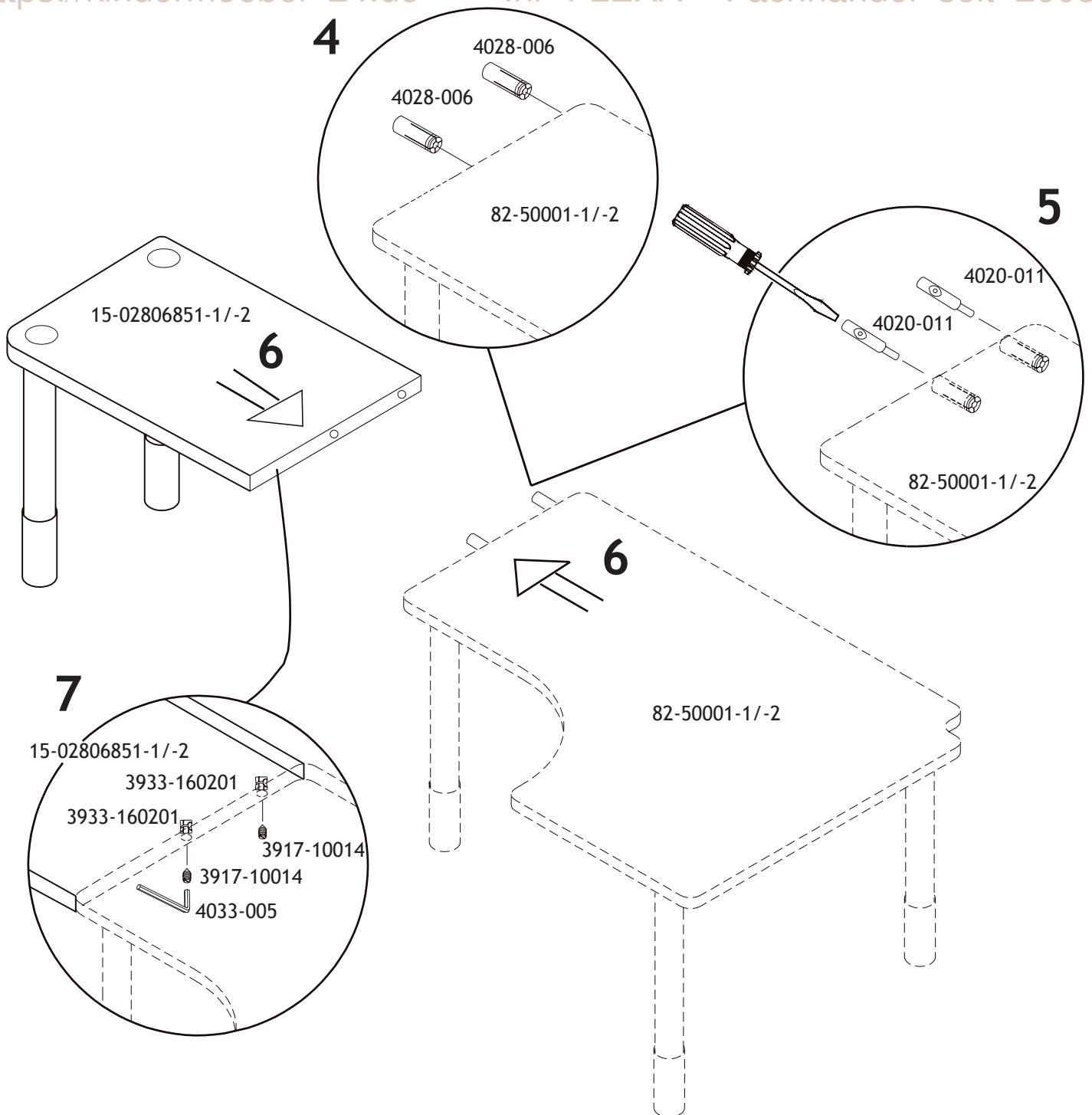


4081-001-2 x2 	4091-018-2 x2 	4092-007-2 x2  Ø75/Ø11x3mm	3933-160201 x2  M10x19mm	3917-10014 x2  M10x13,5mm	4033-005 x1  5mm
---	--	---	---	---	---

4005-003 x2  Ø48/M12	3927-00012 x2  M12	4033-001 x1  17/19mm
---	---	---

4092-006-2 x2  Ø50x10mm	4020-011 x2  Ø10/M6x54mm	4028-006 x2  Ø5x23mm
--	---	---





RÅD OM VELIGEHOELDELSE:

Tør af med en fugtig klud. Evt. større pletter fjernes større pletter fjernes med en fugtig svamp med sæbe. Undgå opløsningsmidler. Skruer og bolte efterspændes med jævne mellemrum.

MAINTENANCE INSTRUCTIONS:

Cleaning with a wet cloth, use a sponge with soap to remove obstinate dirt. Avoid solvents and dilutions. Screws and bolts should from time to time be retightened.

WARTUNGSANLEITUNG:

Mit einem feuchten Lappen säubern, nutzen Sie einen mit Seife getränkten Schwamm für hartnäckigere Verschmutzungen. Nutzen Sie keine Lösungsmittel oder Verdünner. Schrauben und Bolzen sollten gelegentlich neu festgezogen werden.

INSTRUCTIONS D'ENTRETIEN:

Nettoyage avec un tissu humide, utilisez une éponge avec du savon pour enlever la poussière obstinée. Évitez les solvants et les dilutions. Les vis et les boulons doivent être resserrés de temps en temps.

INSTRUCCIONES DE MANTENIMIENTO:

Limpieza con paño húmedo, use una esponja con jabón para remover la suciedad difícil de quitar. Evite solventes y diluciones. Los tornillos y pernos deben reajustarse ocasionalmente.

ONDERHOUDSINSTRUCTIES:

Schoonmaken met een vochtige doek, gebruik een spons met zeep voor het verwijderen van hardnekkig vuil. Vermijd oplossings- en verdunningsmiddelen. Schroeven en bouten regelmatig aandraaien.

LA MANUTENZIONE:

Pulire con un panno umido, usare una spugna con sapone per rimuovere lo sporco ostinato. Evitare solventi e diluizioni. Viti e bulloni devono di volta in volta essere riavvitati.

HOITO-OHJEET:

Puhdistetaan kostealla kankaalla, lian poistamiseen voidaan käyttää sientä ja saippuaa. Vältä liuotaineita ja laimennoksia. Ruuvit ja pultit tulee kiristää säännöllisin väliajoin.

ΟΔΗΓΙΕΣ ΣΥΝΤΗΡΗΣΗΣ:

Καθαρίζετε το προϊόν με ένα υγρό πανί και χρησιμοπο για να απομακρύνετε την επίμονη βρωμιά. Αποφύγετε διαλυμάτων. Οι βίδες και τα μπουλόνια θα πρέπει να

INSTRUKCJE KONSERWACJI: Czyścić przy pomocy wilgotnej Nie stosować rozpuszczalników i rozcieńczalników. Co jaki

INSTRUÇÕES DE MANUTENÇÃO:

Limpe com um pano molhado. Use uma esponja com detergente para remover as manchas mais difíceis. Evite solventes e diluentes. Os parafusos e cavilhas deverão ser apertados de tempos a tempos.

INSTRUCȚIUNI DE ÎNTREȚINERE:

Se curățați cu un material textil umed, folosiți un burete cu să Evitați solvenții și diluanții. Șuruburile și buloanele trebuie refixate periodic.

ИНСТРУКЦИИ ПО УХОДУ:

Очищать влажной тканью, для удаления стойких загрязнений Избегайте использования растворителей и разбавителей от времени подтягивать.

维护说明：

用湿布清洁，用海绵沾肥皂清洁顽固污垢。避免使用溶剂和稀释液。应定期重新拧紧螺丝及螺栓。

手入れの仕方：

全体を絞った布で拭き、特に汚れがひどいところは洗剤とスポンジを使って洗い落とし下さい。強力な洗剤や薬品は使用しないで下さい。ていないように時々締め直して下さい。

유지관리 지침:

젖은 헝겊으로 세척하고, 얼룩을 제거할 때는 스폰지에 솔벤트나 희석제를 사용하지 마세요.

FLEXA®



产品说明书

产 品: 儿童家具

产 品 编 号: 参见标签或包装内的安装及使用说明。产品编号代表产品的类型、长度和颜色。例如: 80-01101-1, 为基本床, 80-01101-190cm, 80-01101-1-本色。80-01102-1, 为基本床。80-01102-200cm, 80-01102-2-白色。

技术特征和尺寸: 见安装及使用说明。

主 料: 北纬60度以上的北欧松木。

油 漆: 水溶性UV漆, 符合EN标准。

胶 水: 水溶性粘合剂, 符合EN标准。

金 属 配 件: 镀层符合欧洲玩具安全标准EN71, 第三部分。

芙莱莎集团出品的家具经过欧洲和美国最严格的安全测试, 符合EN, CE, GS, CFR 标准, 芙莱莎的产品经过国家家具质量监督检验中心的检测, 符合儿童家具通用技术条件GB28007-2011——目前国内唯一的儿童家具国家强制标准和其他相关国家标准。同时我们符合欧洲标准EN717中针对甲醛释放量的要求。

安 装 及 配 送: 见安装及使用说明。

日 常 维 护 保 养: 见安装及使用说明。



安全保证 芙莱莎专为儿童制造, 我们专注于每一个细节, 以确保您可以安心布置儿童房, 例如, 芙莱莎儿童家具全无尖锐的边和角, 所有边角都作磨圆处理; 所有高度超过80厘米的床都要经过德国莱茵的高层床检测标准EN: 747



五年质保 芙莱莎的目标是提供始终如一的高品质和安全性, 因此芙莱莎推出5年质保服务, 但仅针对家具生产制造过程中造成的缺陷, 不针对漆面的损伤。



五年附加保证 一旦您购买了芙莱莎, 您就购买了一套灵活多变的家具体系, 您可以根据您不断变化的需求来重新改装您的芙莱莎家具, 这就是芙莱莎五年附加质保服务, 即在您购买第一套芙莱莎床品的五年内, 您可以根据您的需求添置新的部件, 组装成满足您需求的新的床品。



高品质的木材 芙莱莎始终如一的坚持最高品质, 例如, 我们只选用北纬斯堪地纳维亚森林中最优质的松木制作儿童家具。



掉漆 芙莱莎儿童家具的表面都用水性UV漆涂刷好几遍, 以确保家具的最佳呈现, 同时, 可以让家具更加耐磨耐损。芙莱莎所使用的水性UV漆达到EU标准。



自然色差异 芙莱莎家具由纯松木制成, 由于实木具有活性, 因此会存在天然的色差, 所有芙莱莎纺织品也由100%天然材料制成, 因此也会存在色差

芙莱莎儿童家具产自丹麦, 依照斯堪的纳维亚风格所设计。芙莱莎实木家具均由欧洲生产, 然后发往全球销售。

芙莱莎® 和 FLEXA® 是 Flexa4Dreams Holding A/S (芙莱莎) 集团的注册商标。

适用于3岁以上年龄
只允许成人安装, 儿童勿近

生产商: FLEXA4Dreams Holding A/S, Denmark
地 址: Hornsyld Industrivej 4, 8783 Hornsyld, Denmark
电 话: +45 7668 8055 传真: +45 7668 8069
邮 箱: flexa@flexa.dk
网 址: www.flexa.dk

FLEXA®



Product Declaration

Product: Children's furniture

Product No: Please refer to the label or the Assembly and User Instruction. The product code refers to the type, length and color of the product. As an example the item number 80-01101-1, a basic bed, 80-01101 - 190cm long, 80-01101-1-clear lacquered. 80-01102-2, a basic bed, 80-01102 - 200cm long, 80-01102-2 · white lacquered.

Technical character and size: Please refer to the Assembly and User Instruction.

Main material: Northern European Pinewood, harvested above the 60th latitude

Lacquer: Water soluble UV lacquer complying with the EN standard

Glue: Urea glue complying with the EN standard

Metal parts: Coating complying with the EN71 standard, part 3

Production date: Please refer to the label on the outer package.

Furniture products from FLEXA® are tested according to relevant European and American safety standards, e. g. EN, CE, GS, and CFR. Furthermore, FLEXA's products are test by the China National Quality Supervision Center for Furniture and complying with the GB28007-2011 children furniture standard in China and other relevant standards. Also, we comply with the EN717 concern the formaldehyde release.

Assembly and spare parts: Please refer to the Assembly and User Instruction.

Maintenance: Please refer to the Assembly and User Instruction.



Safety tested FLEXA furniture is made for children. We have carefully checked every single detail so you can safely set up your child's bedroom. For example, there are no sharp edges or corners on FLEXA furniture - they are all rounded. All beds with a sleeping height of more than 80 cm are safety tested according to the EU standard EN:747 by TÜV.



5-year guarantee FLEXA's aim is always to deliver the highest quality and safety. That is why we provide a 5-year guarantee against manufacturing defects on all our furniture. The guarantee does not cover damage to the lacquer surface caused by knocks or wear and tear.



5-year availability guarantee When you purchase FLEXA, you buy a flexible system that can be altered and extended as and when the need arises. The FLEXA availability guarantee means that you can buy new modules for your bed for at least five years after you purchased the first unit.



Quality materials FLEXA insists on the highest quality and sustainability as a standard when we make furniture. For example, we only use the highest quality pine from sustainable forests in Scandinavian. We are thereby ensuring that only the very best material is used for our furniture.



Lacquer FLEXA furniture is surface treated with lacquer several times to give our furniture an optimal and elegant finish. At the same time it makes our furniture robust and more resistant to signs of wear and tear. FLEXA is only using eco-friendly water-based lacquer and UV lacquer, which meets the EU standard for lacquer.



Colour differences Many FLEXA furniture is made of solid wood or part of it is in solid wood and natural differences in colour may appear between individual products. This is only natural since wood is a living product. All FLEXA textiles are 100% natural products. Natural differences in colour may occur.

Children's furniture from the Danish company, FLEXA, is designed by FLEXA according to Scandinavian design traditions. The wood furniture are manufactured by FLEXA in Europe and sold worldwide.

FLEXA® and the FLEXA® logo are trademarks of Flexa4Dreams Holding A/S.

For 3 years old or above.
Only for adult to assemble.

Manufacturer: FLEXA4Dreams Holding A/S, Denmark
Address: Hornsyld Industrivej 4, 8783 Hornsyld, Denmark
Tel: +45 7668 8055 Fax: +45 7668 8069
Email: flexa@flexa.dk
Website: www.flexa.dk